

CP

Applications

For water supply from wells or reservoirs
For domestic use, for civil and industrial applications
For garden use and irrigation

Operating conditions

Maximum fluid temperature up to +40°C
Maximum sand content: 0.25%

Motor and Pump

Rewindable motor

Single-phase: 220 - 240V/50Hz

Three-phase: 380 - 415V/50Hz

Curve tolerance according to ISO 9906

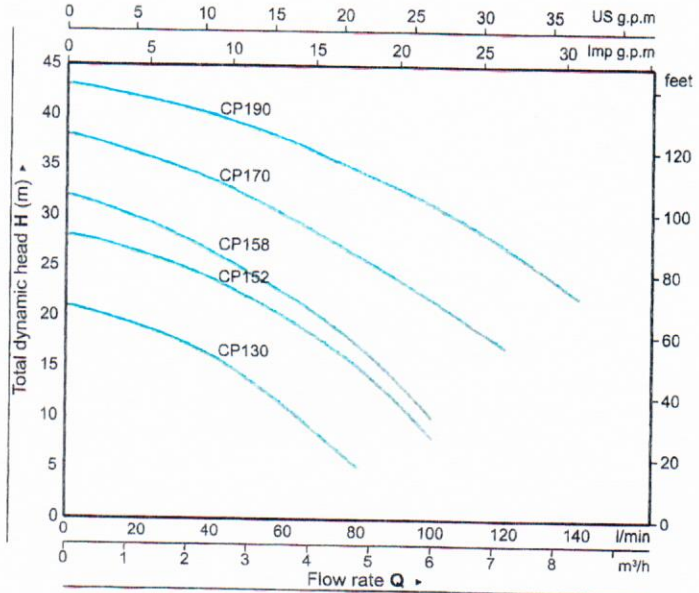
Options on request

Special mechanical seal

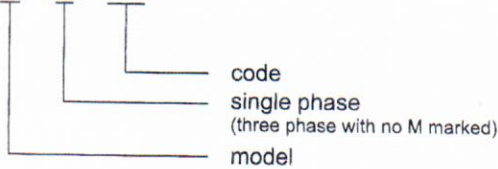
Other voltages or frequency 60Hz

Warranty: 2 years

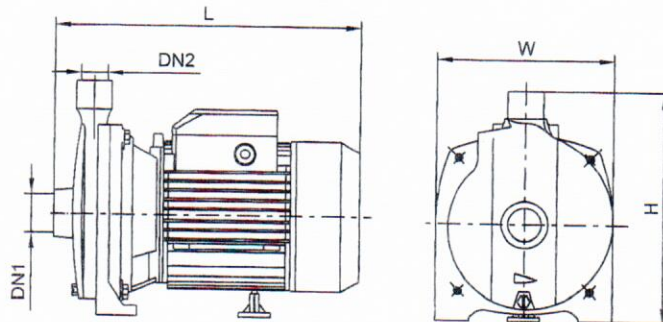
(according to our general sales conditions)



CP (M) 130



MODEL	DN1	DN2	DIMENSIONS(mm)			WEIGHTS(kg)	
			W	H	L	1~	3~
CP(M)130	1"	1"	168	215	265	8	7.5
CP(M)152	1"	1"	195	247	304	11.5	11
CP(M)158	1"	1"	190	239	311	12	11.5
CP(M)170	1 1/4"	1"	204	258	348	19	18
CP(M)190	1 1/4"	1"	232	287	348	21.5	20.5



PERFORMANCE DATA 50Hz

MODEL		P ₂		DELIVERY								
1~	3~	kW	HP	n≈2850 1/min								
220 - 240V	380 - 415V			Q	0	1.2	2.4	3.6	4.8	6.0	7.2	8.4
CPM130	CP130	0.37	0.5	0	20	40	60	80	100	120	140	
CPM152	CP152	0.55	0.75	21	19	16	11	5	-	-	-	
CPM158	CP158	0.75	1	28	26	24	20	15	8	-	-	
CPM170	CP170	1.1	1.5	32	29	26	22	16	10	-	-	
CPM190	CP190	1.5	2	38	36	33	28	26	22	17	-	
				43	42	40	38	35	31	27	22	